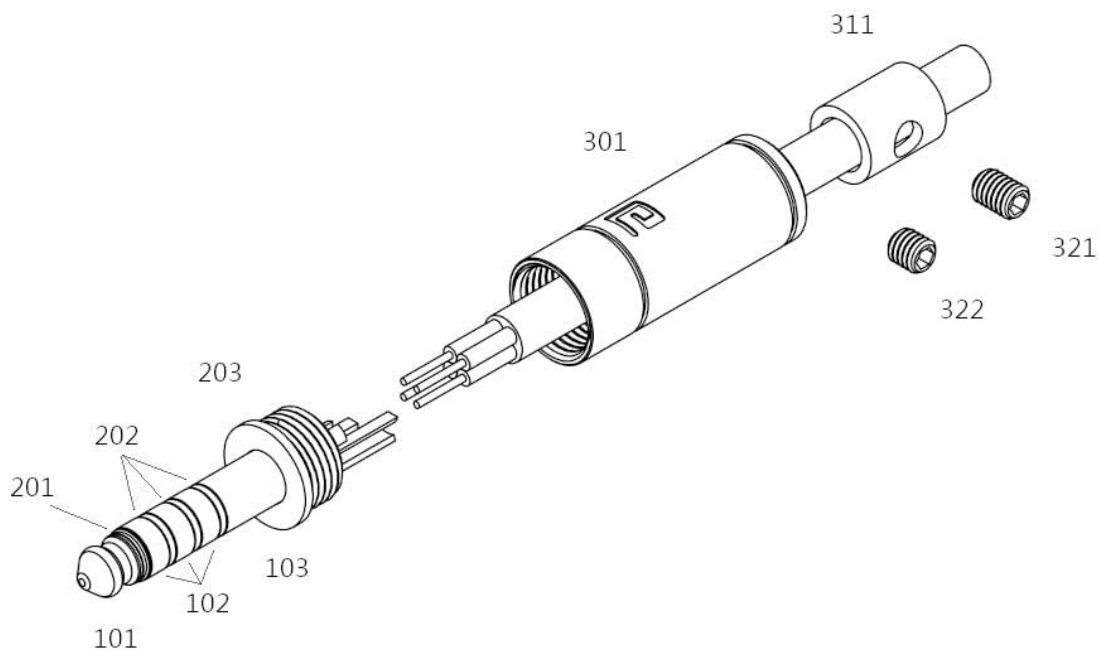


AECO TRS 4.4 PLUG

Assembly

1. We recommend to peel off the cable jacket and per conductor wire insulation.
2. Depends on cable size to decide whether use sleeve (ID 4.5mm) [311], or without sleeve (ID6.5MM) [301].Then through into cable.
3. Soldering each channel conductors.
4. The interface of each channel and cable polarity, please find the detail as below picture.
5. Lock the shell and body [203].
6. Please lock the cable and shell with a screw M3x4mm [321] or M3x3mm [322].



AECO TRS 4.4 PLUG

